

- 坚固的、铝压铸外壳
- IP66防护等级



产品说明

AccuStar® IP-66型倾角传感器采用压铸的带涂层的铝外壳设计，可应用于大多数复杂的工业环境和室外。多种输入和输出可选，方便客户应用。当输出为0.5 ~ 4.5VDC时，需要标准的12VDC供电。其高防水性可使该产品应用于塔式起重机和船舶等各种天气条件下。当输出为4 ~ 20mA时，可应用于需要长距离控制及采样的设备，该输出时供电为18 ~ 30VDC。

该产品电路整合了EMI和RFI组件，在多数苛刻环境下可提供降噪处理。同时我们的产品即将通过针对EMI，RFI和ESD欧洲CE认证。而且对 $\pm 3^\circ \sim \pm 45^\circ$ 满量程输出提供校正。

特点

- 坚固的、铝压铸外壳
- IP66防护等级
- 量程： $\pm 3.0^\circ \sim \pm 45^\circ$
- 4线0.5 ~ 4.5VDC输出
- 2线环路电流输出
- 2米电缆

应用

- 塔式起重机安全系统
- 娱乐车
- 机械工具角度位置
- 医用拖车平衡
- 游艇
- 水井和油井钻头设备
- 矿山设备

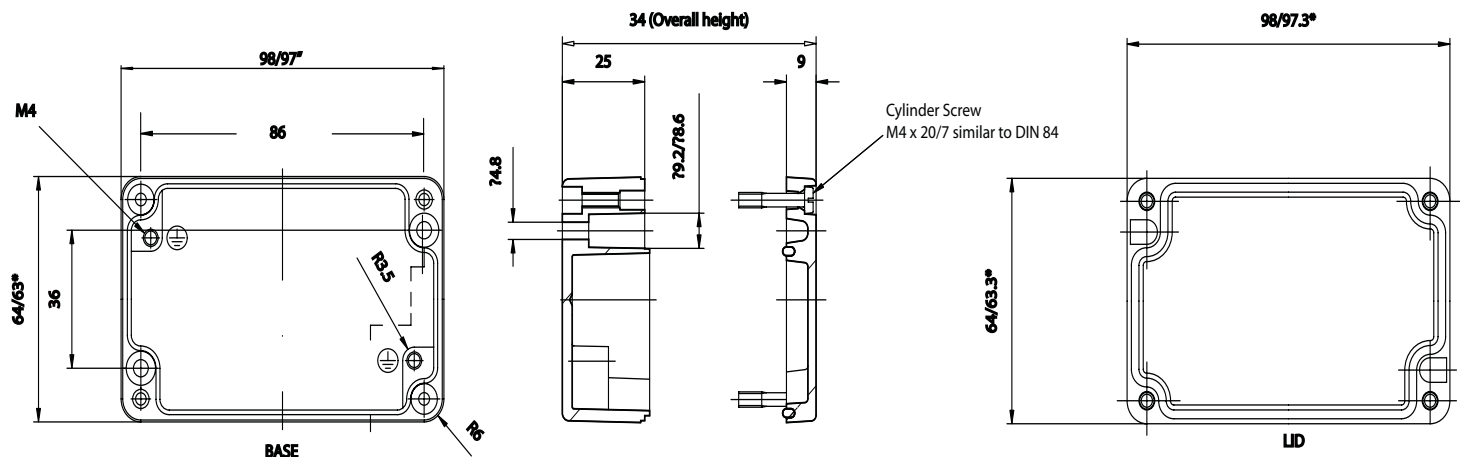
AccuStar[®] IP-66电子倾角传感器

环路电流输出

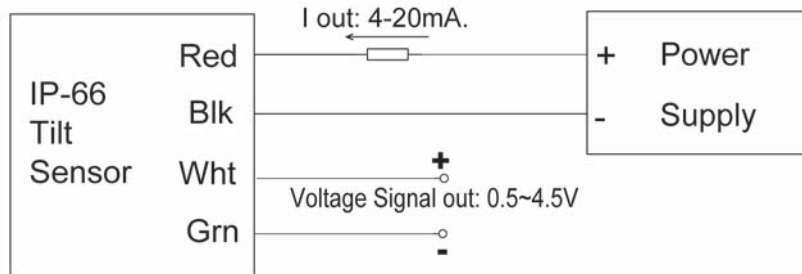
电气性能

线性量程	$\pm 3^\circ$, 5° , 10° , 15° , 20° , 30° , 45°
电压供电	+12 ~ +30 VDC (输出为4 ~ 20 mA时供电为24VDC)
输出	0.5 ~ 4.5 Vdc (或4 ~ 20 mA)
零点	2.5 Vdc (或12 mA)
最大环路阻抗	500 @ 24VDC
线性度	0 ~ $\pm 10^\circ$ 时为 $\pm 0.1^\circ$ $\pm 10^\circ$ ~ $\pm 45^\circ$ 为读数的 $\pm 1\%$
重复性	0.05°
轴向误差	<1%
响应频率 (-3dB)	0.5 Hz
温度系数	0.008° /
比例因子	0.1%/
工作温度	-25 ~ +60
产品尺寸 (L × W × H)	3.86 × 2.48 × 1.38

产品尺寸



电气连接



注：不要将黑线和绿线连接

联系方式

中国

北京赛斯维测控技术有限公司
北京市朝阳区望京西路48号
金隅国际C座1002
电话：+ 86 010 8477 5646
传真：+ 86 010 5894 9029
邮箱：sales@sensorway.cn

北美

Measurement Specialties Inc.
1000 Lucas Way
Hampton, VA 23666
Tel: 1-757-766-1500
Fax: 1-757-766-4297
Sales: sales.hampton@meas-spec.com

欧洲

MEAS Europe
105 av. Du General Eisenhower
BP 23705, 31037 Toulouse, Cedex 1, France
Tel: +33 561-194-824
Fax: +33 561-194-553
Sales: humidity.cs@meas-spec.com

The information in this sheet has been carefully reviewed and is believed to be accurate; however, no responsibility is assumed for inaccuracies. Furthermore, this information does not convey to the purchaser of such devices any license under the patent rights to the manufacturer. Measurement Specialties, Inc. reserves the right to make changes without further notice to any product herein. Measurement Specialties, Inc. makes no warranty, representation or guarantee regarding the suitability of its product for any particular purpose, nor does Measurement Specialties, Inc. assume any liability arising out of the application or use of any product or circuit and specifically disclaims any and all liability, including without limitation consequential or incidental damages. Typical parameters can and do vary in different applications. All operating parameters must be validated for each customer application by customer's technical experts. Measurement Specialties, Inc. does not convey any license under its patent rights nor the rights of others.